



### Nominal data

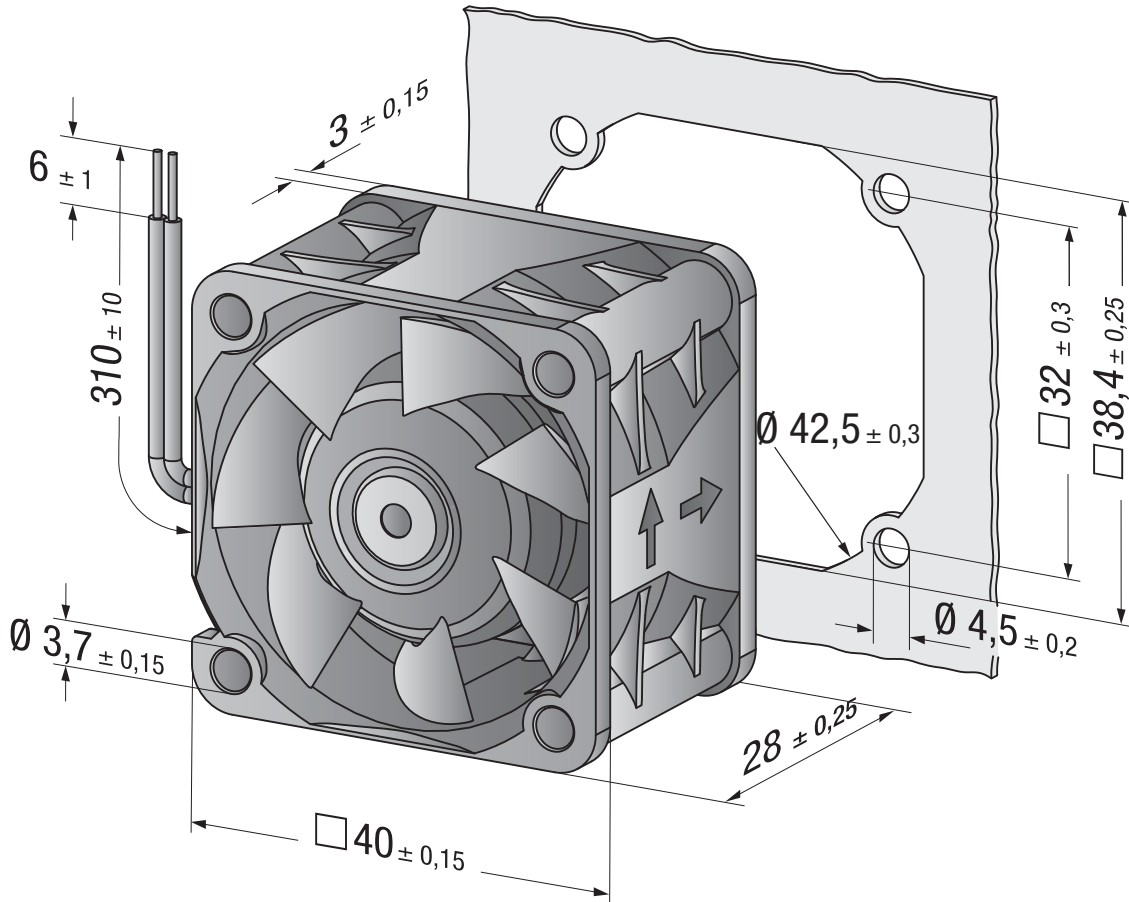
Type	424 JN	
Nominal voltage	VDC	24
Nominal voltage range	VDC	16 .. 28
Speed (rpm)	min <sup>-1</sup>	14250
Power consumption	W	4.3
Min. ambient temperature	°C	-20
Max. ambient temperature	°C	70
Air flow	m <sup>3</sup> /h	31
Sound power level	B	6.0
Sound pressure level	dB(A)	48

ml = Max. load · me = Max. efficiency · fa = Free air · cs = Customer specification · ce = Customer equipment  
Subject to change

**Technical description**

<b>Weight</b>	0.045 kg
<b>Dimensions</b>	40 x 40 x 28 mm
<b>Impeller material</b>	Glass-fiber reinforced PA plastic
<b>Housing material</b>	Glass-fiber reinforced PBT plastic
<b>Airflow direction</b>	Exhaust over struts
<b>Direction of rotation</b>	Counterclockwise, viewed toward rotor
<b>Storage</b>	Ball bearing
<b>Service life L10 at 20 °C</b>	67.500 h
<b>Service life L10 at 60 °C</b>	35.000 h
<b>Cable</b>	With leads AWG 28, UL 1061
<b>Approval</b>	VDE, CSA, UL
<b>Option</b>	Possible custom designs: Speed signal Go / No-go alarm External temperature sensor PWM control input Moisture protection Salt spray protection

Product drawing



## Curves

